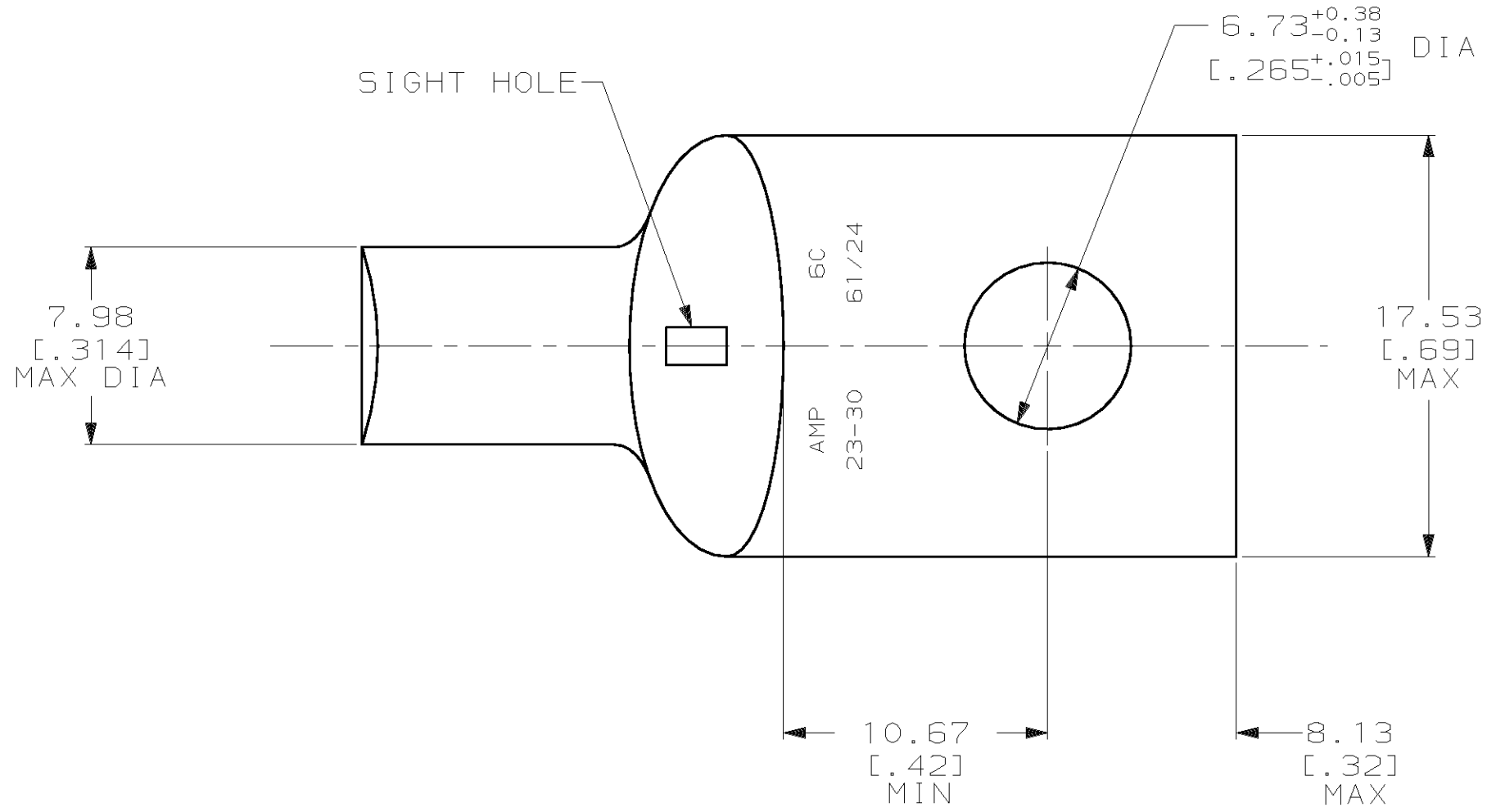
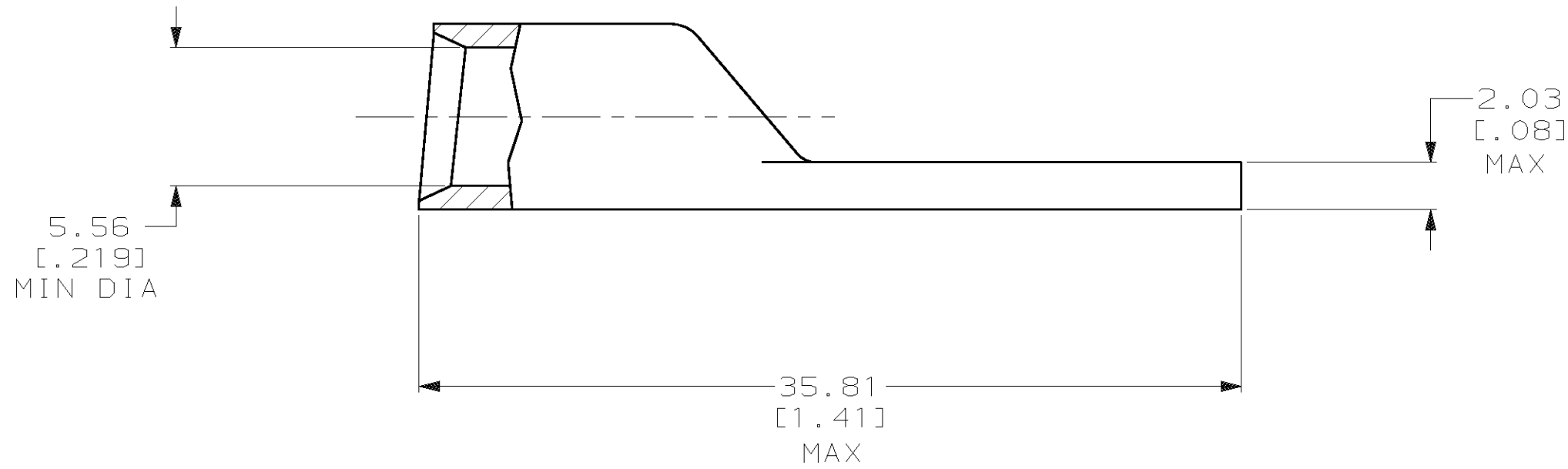


THIS DRAWING IS UNPUBLISHED. RELEASED FOR PUBLICATION
 © COPYRIGHT 19 BY AMP INCORPORATED. ALL INTERNATIONAL RIGHTS RESERVED.

| REVISIONS | | | | | | | | | |
|-----------|------|---|---|------|-----|--------------------|---------|-------|--|
| LOC | DIST | P | F | ZONE | LTR | DESCRIPTION | DATE | APPD | |
| G | 86 | | | | T | REV / 0G10-0059-99 | 26APR99 | ME/TH | |



1 CIRCULAR MIL AREA RANGE: 20,800-33,100 CM
 2 TIN PL 0.00381 [.000150] MIN THK PER ASTM B 545



328142

B

A

328142

PART NO

DO NOT SCALE PRINT.
 UNLESS SPECIFIED
 DIMENSIONS IN mm [INCHES]
 TOLERANCES ON:
 2 PLC DEC ± 0.51 [.020]
 3 PLC DEC ± -
 ANGLES ± -
 MATERIAL
 ANNEALED COPPER
 ASTM B-152

DR 02/28/90
 DK 5CHRUM
 CHK 19JAN95
 MS FEHER
 APPD 19JAN95
 WJ VOCKROTH
 APPD 19JAN95
 TL SHUTTER
 PRODUCT SPEC
 108-30200

AMP AMP INCORPORATED
 Harrisburg, Pa. 17105
 NAME
 TERMINAL, AMPPOWER™,
 WIRE SIZE: 6 AWG

FINISH
 APPLICATION SPEC
 WEIGHT .015 LB

APPLICATION SPEC
 -
 WEIGHT .015 LB

SIZE C
 CAGE CODE 00779
 SCALE 4:1
 DRAWING NO 328142
 SHEET 1 OF 1

